

FOOT-1892660

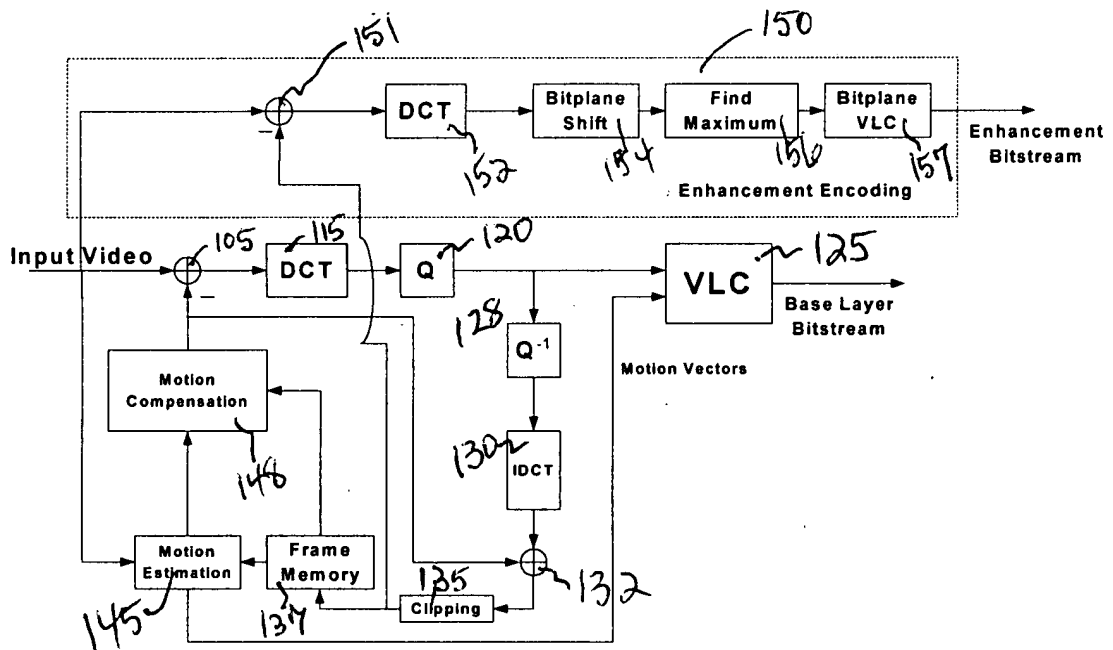


Figure 1

FIGURE 2

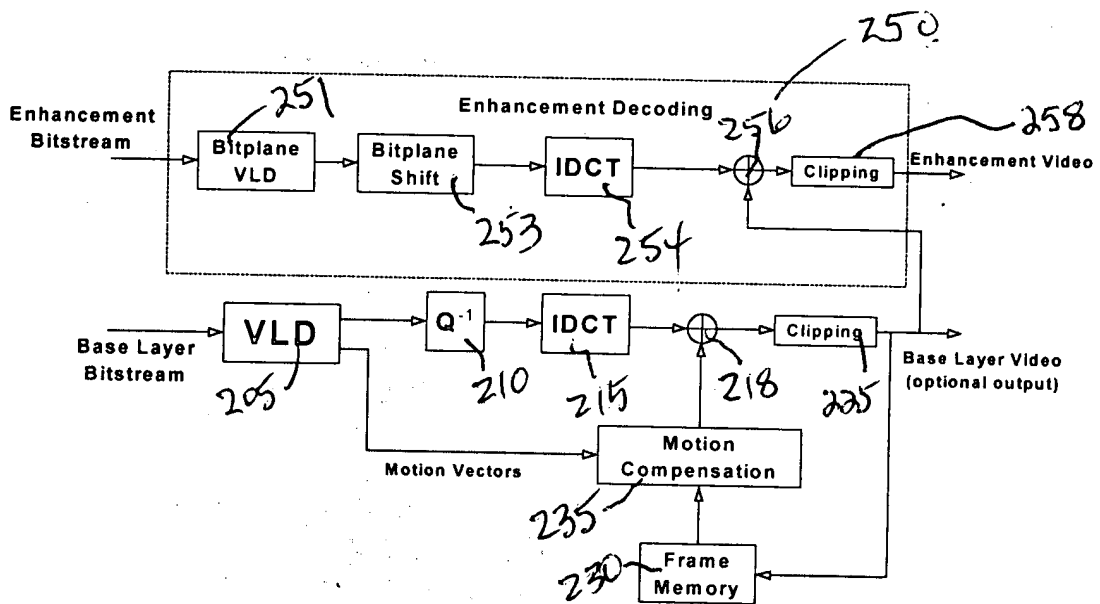


Figure 2